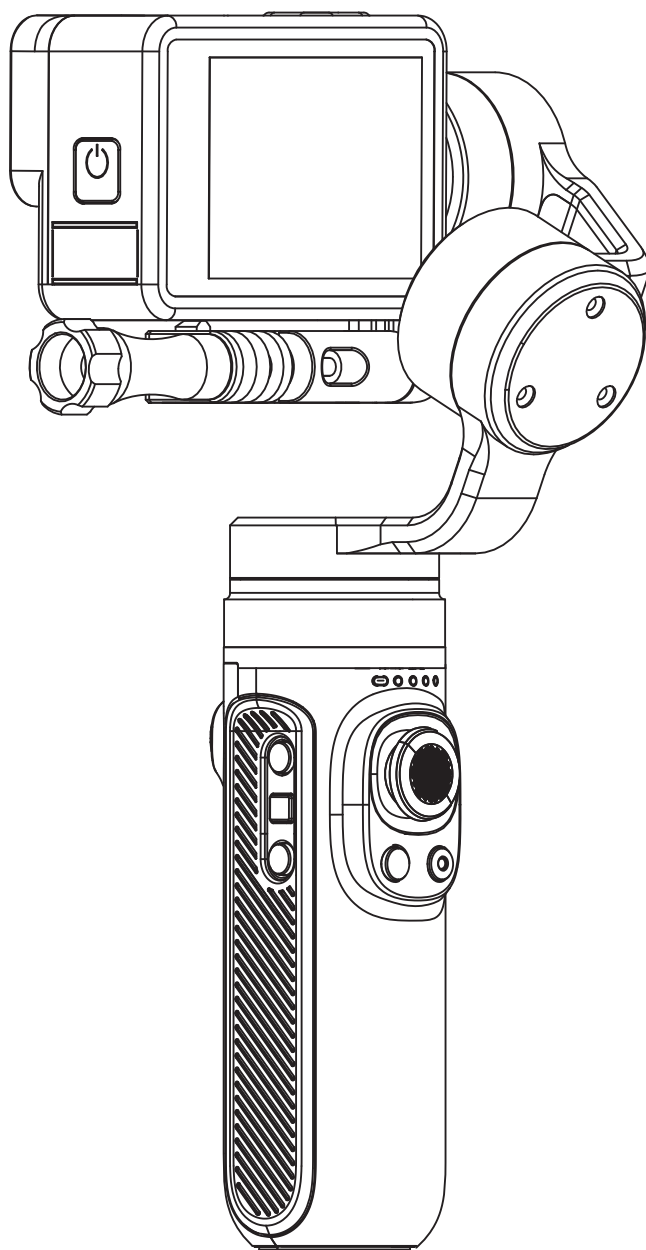


# Falcon Quick Start Guide

V1.3 2021.05



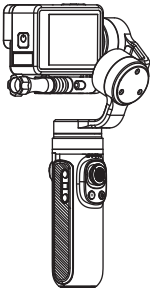
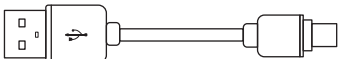
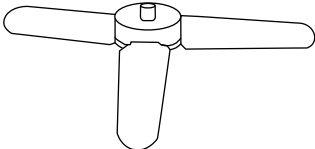
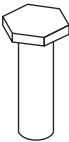
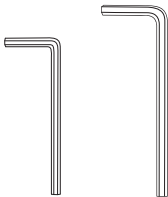
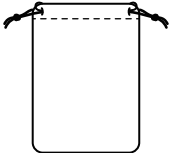
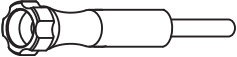
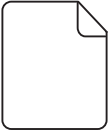
# Contents

|                                     |    |
|-------------------------------------|----|
| <b>Introduction</b>                 | 01 |
| Product Contents                    | 01 |
| <b>Falcon diagram</b>               | 02 |
| <b>Product Usage</b>                | 03 |
| Charging                            | 03 |
| Installation of Action Camera       | 03 |
| Balance Adjustment                  | 04 |
| Power Button                        | 05 |
| Shutter Button                      | 05 |
| Connect to device                   | 06 |
| <b>Function Operation</b>           | 06 |
| Mode Function                       | 06 |
| Four-directional Joystick Operation | 08 |
| Mode Switch Button                  | 09 |
| Trigger Button Operation            | 10 |
| Manual Lock                         | 11 |
| Indicator Light Status              | 11 |
| <b>Disclaimer</b>                   | 12 |
| <b>Product Parameter</b>            | 13 |

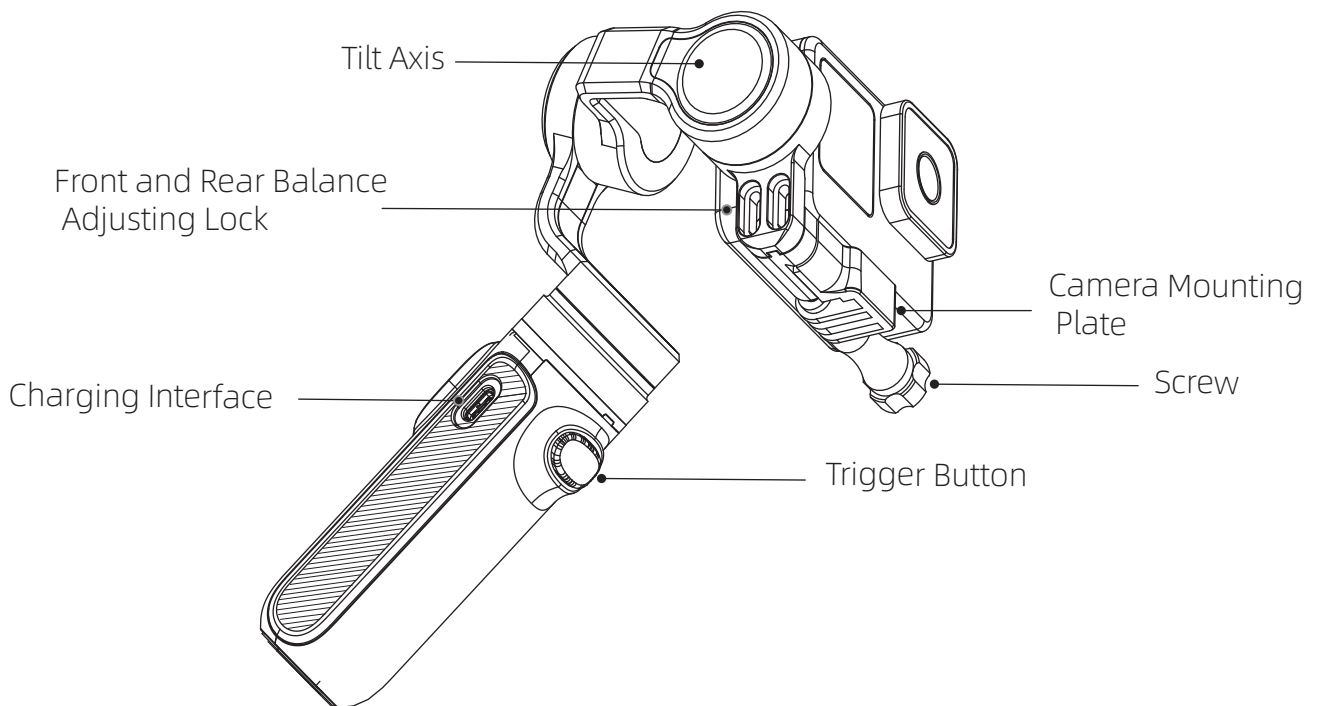
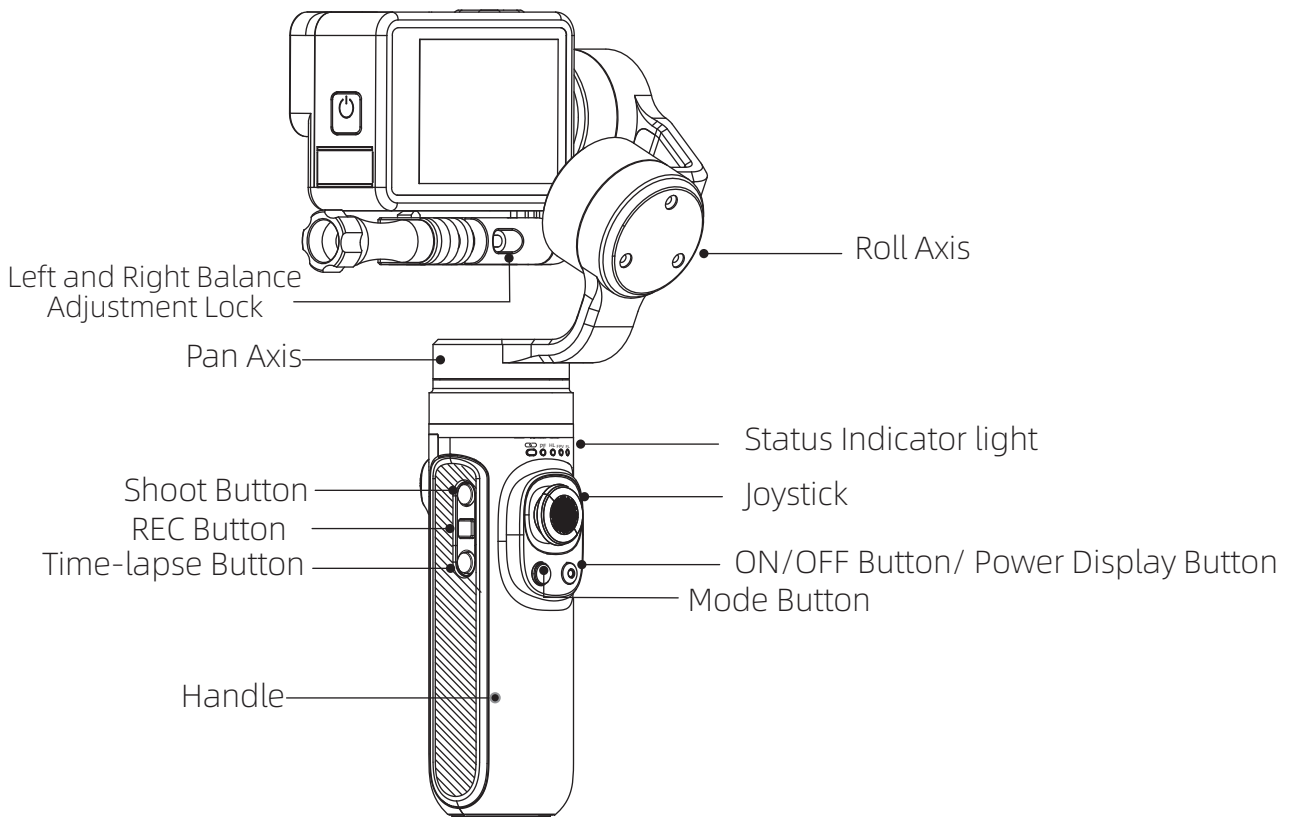
# Introduction

Falcon is a hand-held stabilizer specially designed for cameras, which supports most of Action Cameras on the existing market, Through the three-axis motion compensation to stabilize the Action Camera to get a stable effect.

## Product Contents

|   |   |   |
|---|---|---|
|    |    |    |
| Stabilizer x1   | Charging Cable x1   | Tripod x1   |
|  |  |  |
| Screw x1  | Hexagon Wrench x2   | Storage Bag x1  |
|  |  |   |
| Screw to fix camera   | Quick Start Guide   |   |

## Falcon diagram

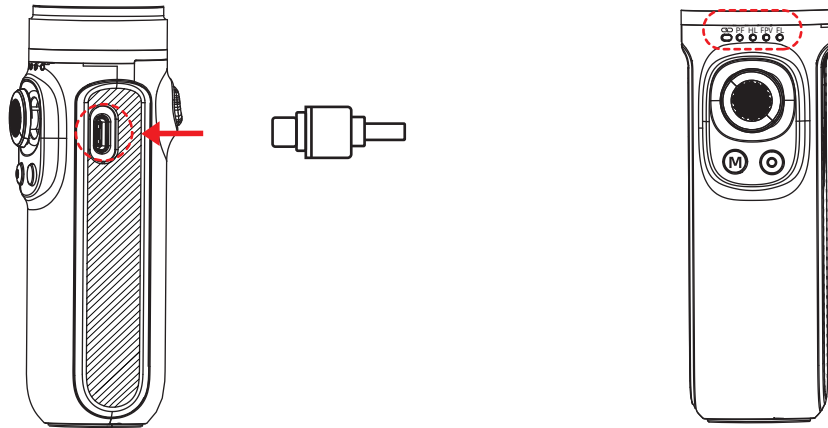


- Camera not included.

## Product Usage

### Charging

Use TYPE-C cable to charge. The status indicator is red when charging while the green light is always on when fully charge.

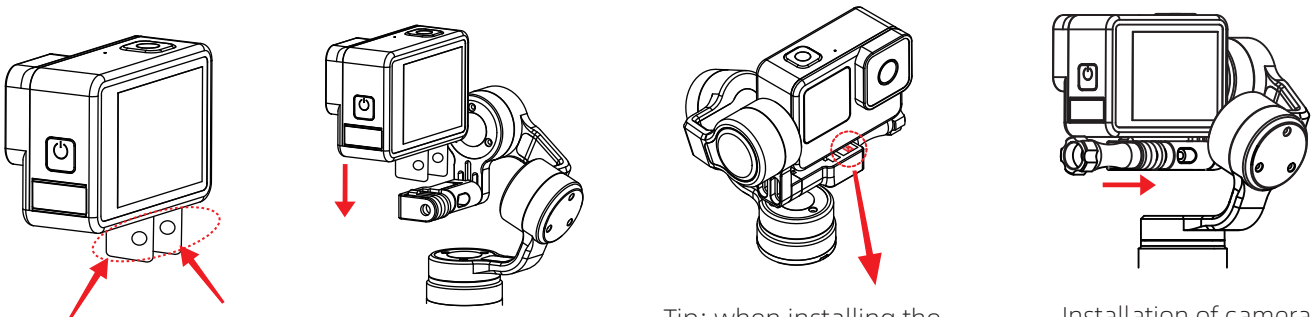


- ⚠ Note :
- Make sure to fully charge the stabilizer when use for the first time.
  - Please charge the stabilizer immediately if the power is too low and the red-light flashes slowly.
  - Turn off the power if not in use.

### Installation of Action Camera

Take GoPro HERO9 as an example:

- ① Pull apart the bottom mounting buckle of the action camera and install it on the stabilizer.
- ② Insert the screw into the hole corresponding to the stabilizer and then tighten the screw.



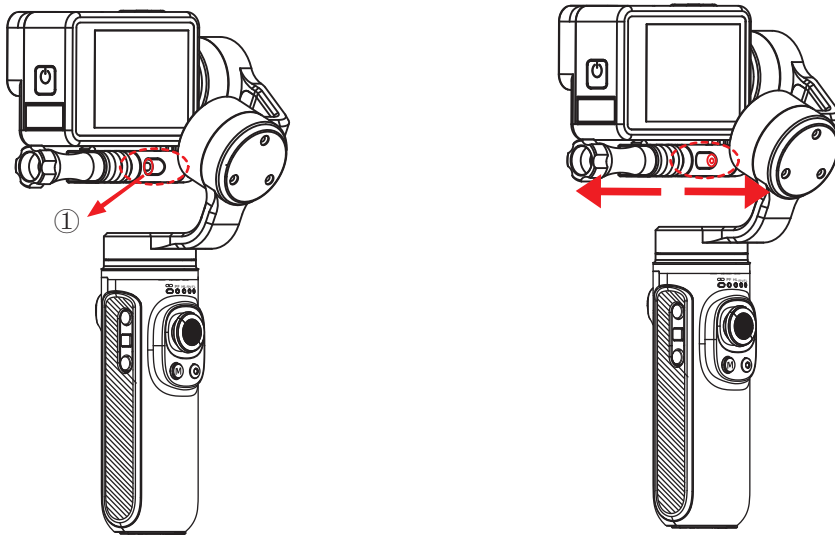
Tip: when installing the camera, keep the camera as close as possible to the camera mounting base.

Installation of camera is completed.

## Balance Adjustment

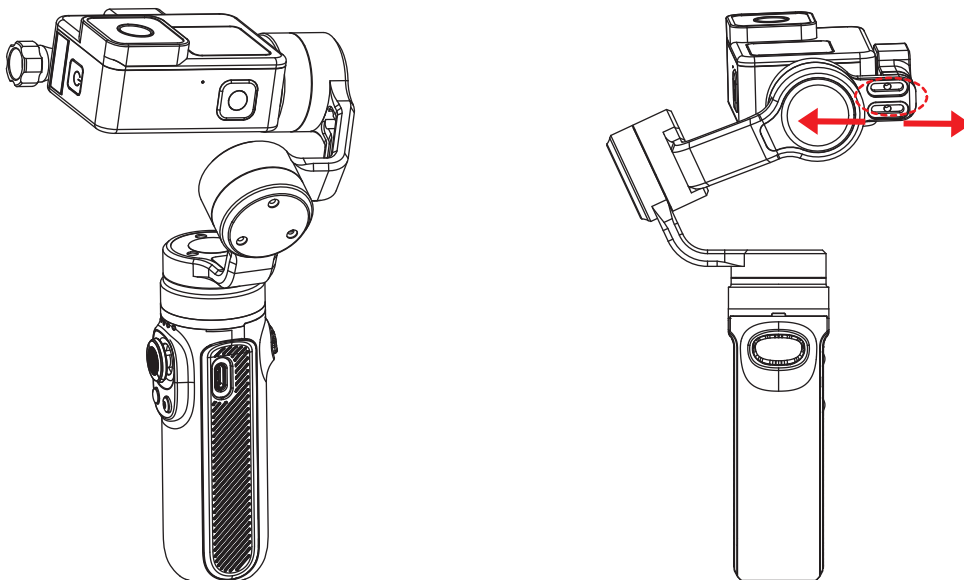
### 1. Left and Right Balance Adjustment Lock

Determine the center of gravity of the camera. If the camera tilts to the left, it means that the center of gravity of the camera is to the left. Loosen the left and right balance adjustment locking screw ①, and move the mounting base and the camera to the right until it can keep level with the ground when it is still; If the camera is tilted to the right, move the mounting base and the camera to the left until it is horizontal with the ground when it is still, and then tighten the screw.



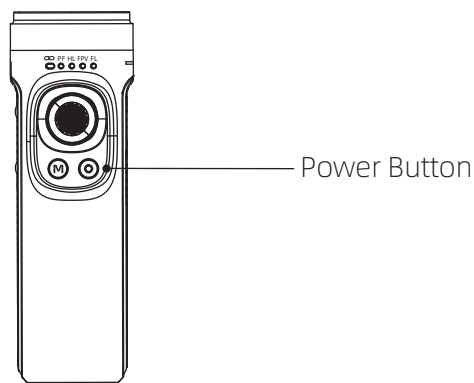
### 2. Front and Rear Balance Adjustment

Flip the camera so that the lens is vertically up. Determine the center of gravity of the camera. When the camera lens is tilted forward, the mounting base and the camera should be moved backward until it can keep level with the ground when it is still, and then the screw can be tightened; If the camera lens is tilted backward, the mounting base and the camera should be moved forward until it can keep level with the ground when it is still, and then the screw can be tightened.



## Power Button

- ① Under the condition of power on or off, Long press two seconds the power button to turn on or turn off the gimbal.
- ② Under the condition of power on or off, single press the power button to display the power of stabilizer.
- ③ In the boot state, double press the power button into standby mode, and then single press any button to restore the working state of the stabilizer.
- ④ In the boot state, continuously and quickly press eight times to clear the remote-control pairing. Too slow will trigger standby.



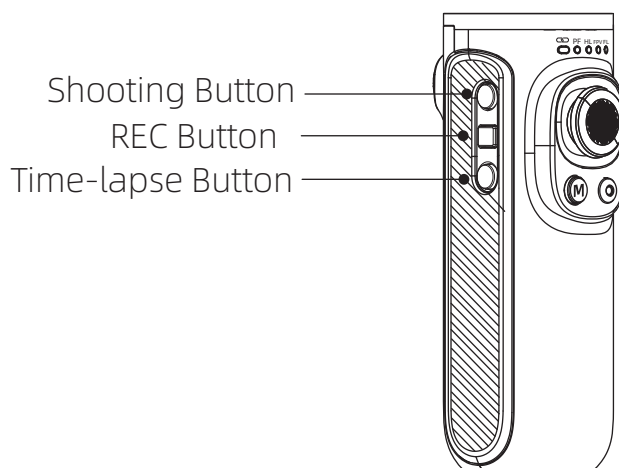
⚠ Note: The Action Camera can only be turned on after it is firmly installed.

## Shutter Button

Shooting Button: Single press to shoot

REC Button: Single press to start recording or stop.

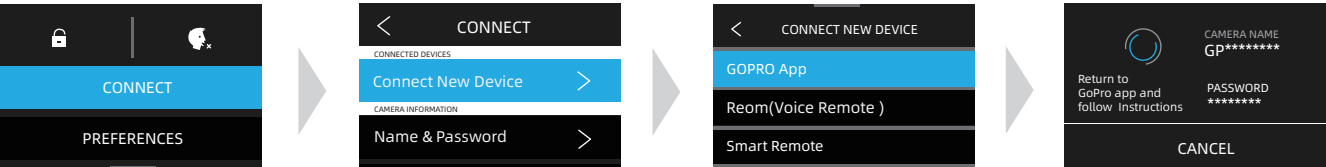
Time-lapse Button: Single press the button to start time-lapse shooting or stop.



## Connect to device

\* Turn on the gimbal before connect to a device.

- ① Pull out the Selection Box from top to bottom, Click on "CONNECT" ,
- ② Click on "Connect New Device" , ③ Click on "GOPRO APP" .



\* If the above operation fails to connect the device, remove the pairing and make the following steps, and once again repeat the above steps.

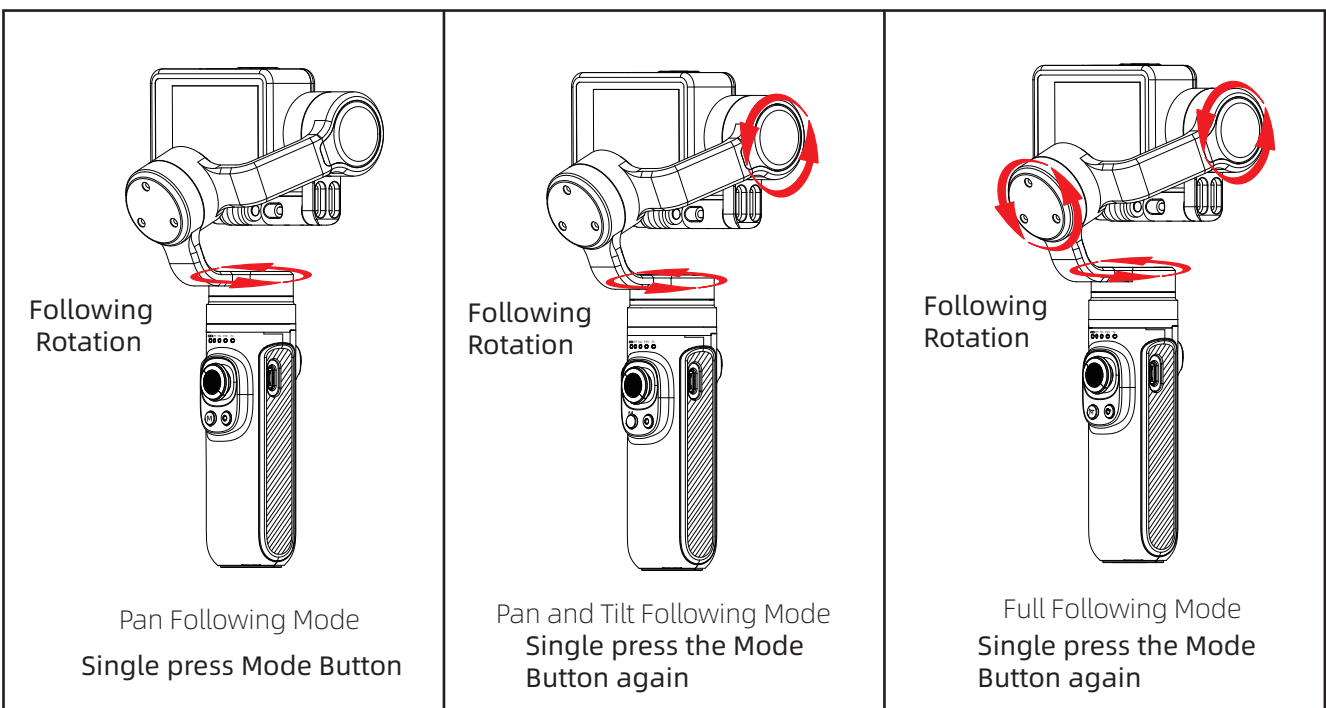
- ① Pull out the selection box from top to bottom, click on "CONNECT" ,
- ② Click on "Reset Connections" , ③ Click on "RESET" .



## Function Operation

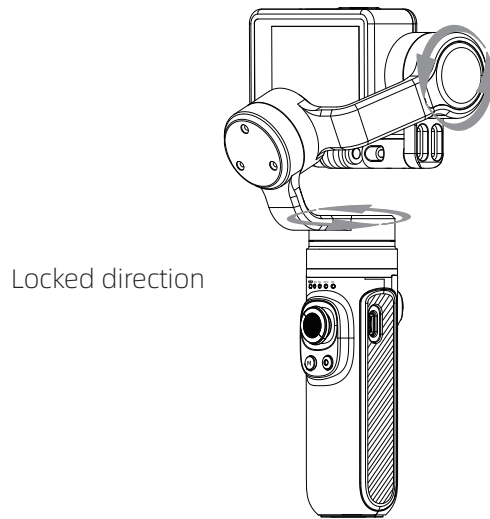
### Mode Function

① Following Mode





## ② Lock Mode

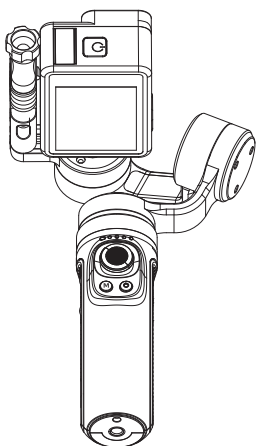


Pan and Tilt Locked Mode  
Long press trigger button

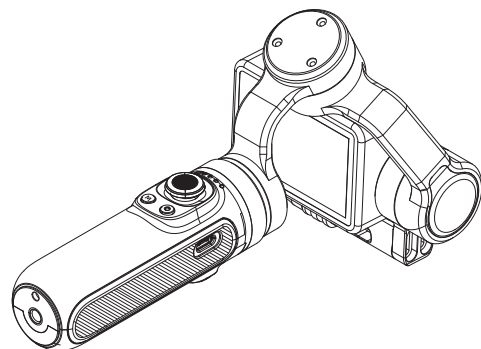
⚠ The red circle indicates that the motor follows the movement of the handle to change the angle, while the gray circle indicates that the motor locks the angle and does not follow the movement of the handle.

## ③ Vertical shooting Mode and Flashlight Mode

Double click to enter vertical shooting mode, double click again to enter Flashlight Mode. Single click to exit to HL mode.



Vertical Shooting Mode

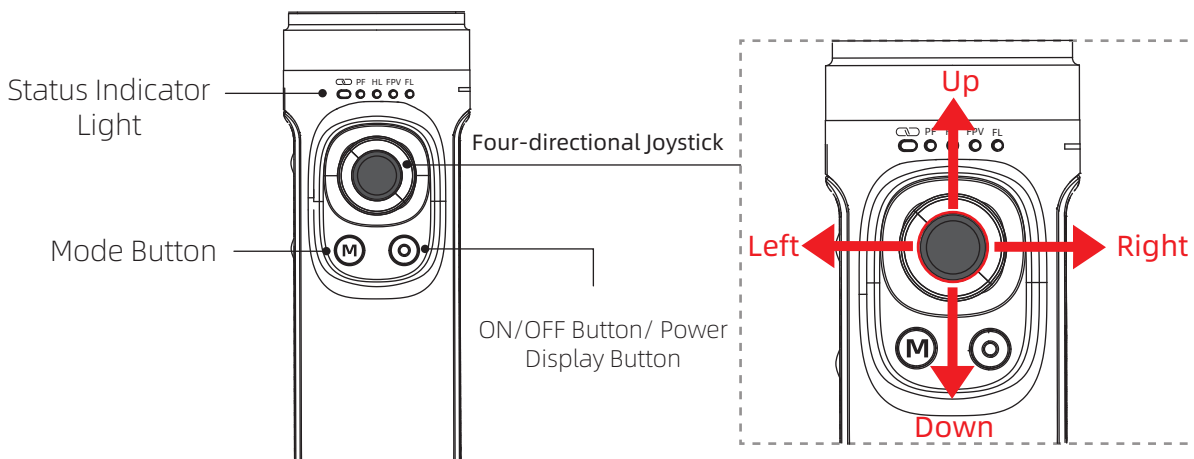


Flashlight Mode

# Falcon Quick Start Guide

| Mode                         | Description   |
|------------------------------|---|
| Pan Following Mode (default) | Tilt axis and roll axis keep the same direction, and the lens rotates with the direction of the handle.       |
| Pan and Tilt Following Mode  | Roll axis keep the same direction, and the lens rotates with the direction of the handle.                     |
| Full Following Mode          | The lens rotates in the direction of the handle .   |
| Lock Mode                    | The lens keeps the same direction.  |
| Reset                        | Return to Pan Following Mode, tilt axis, roll axis and pan axis return to horizontal state.                   |
| Trigger Lock                 | Pull the camera to the specified angle of pan axis and tilt axis for half a second to lock the current angle. |
| Vertical Shooting            | Assist the camera to shoot vertically .   |
| Flash Light Mode             | Make the camera rotate 360.   |

## Four-directional Joystick Operation



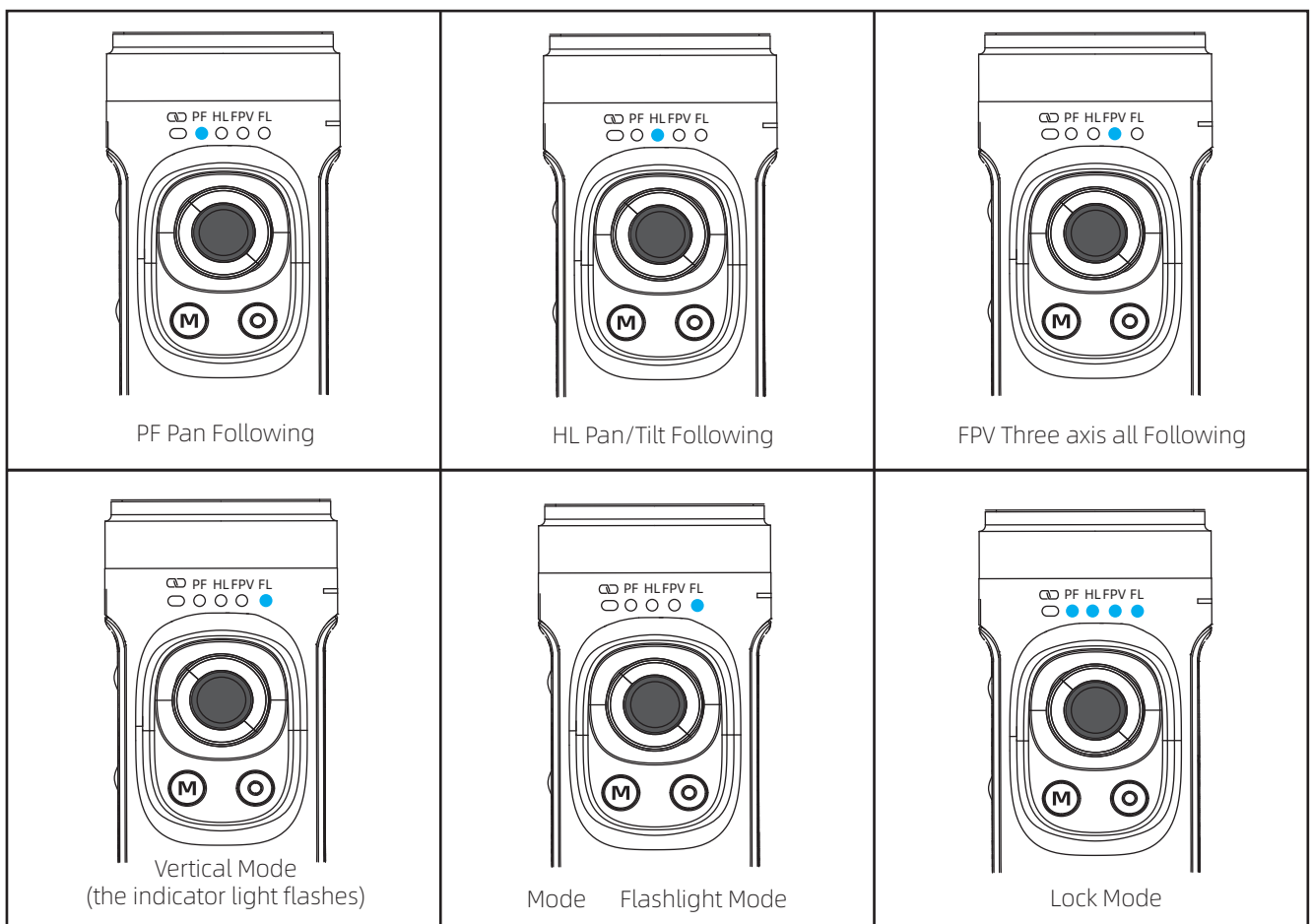
| Joystick Operation      | Description                     |
|-------------------------|---------------------------------|
| Push upwards /downwards | Tilt axis rotates up or down    |
| Push left/right         | Pan axis rotates left or right. |

## Mode Switch Button

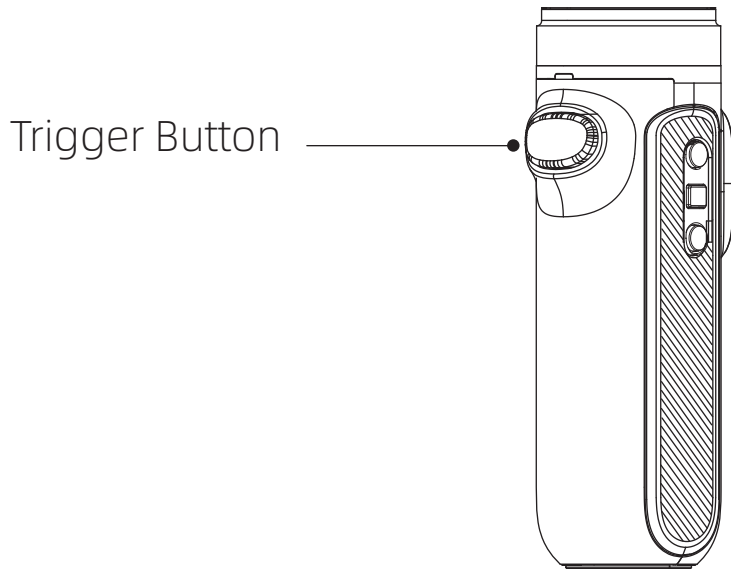
### 1、Illustration

- ① Single click to switch PF-HL-FPV mode.
- ② Double click to enter vertical shooting mode, double click again to enter Flashlight Mode.  
Single click to exit to HL mode.
- ③ Long press the Trigger Button to enter GL Mode(Lock Mode), release to back to previous mode(GL Mode works only under PF or HL Mode).

2、The current mode of the stabilizer can be identified by the status of the indicator light.



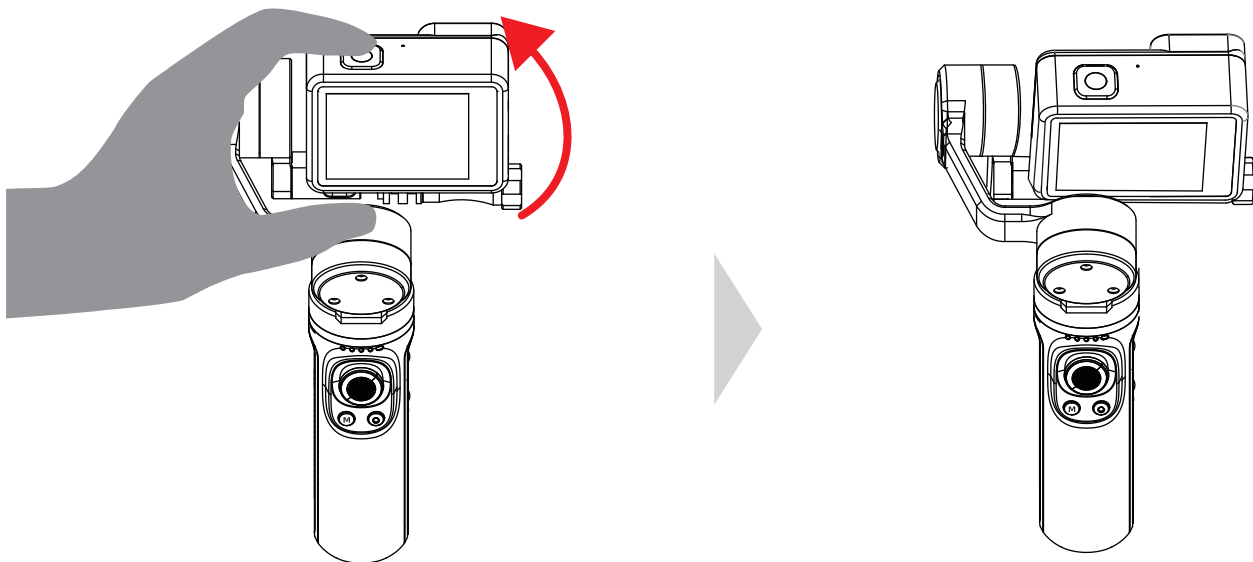
## Trigger Button Operation



| Trigger Button Operation | Description   |
|--------------------------|---|
| Press and hold           | Into GL mode (release will back to previous mode)   |
| Double press             | Angle reset (Tilt axis and Pan axis return to initial position)                                   |
| Three-times press        | Selfie mode (Pan axis rotate 180 relative to initial position, Tilt axis reset at the same time ) |

## Manual Lock

Grasp the camera and pull it to the specified angle in the tilt direction, stay for half a second and then lock the current angle.



## Indicator Light Status

| Indicator Light Status | Description  |
|------------------------|--|
| Blue LED Light         | In shutdown and standby mode, the current power is 0-25%, 25-50%, 50-75%, 75-100% from the left.   |
|                        | Represent the mode state after Turning on, in proper sequence from left to right are: PF mode, HL mode, FPV mode, Flashlight mode(FL), under Lock mode(GL) the LED all bright, Vertical Shooting Mode (FL flashes).  |
| Green LED Light        | Display the Bluetooth connection status. It is always on when the Bluetooth is connected while it is always off when no connection. After pairing is cleared, the light will flash slowly during the Bluetooth scanning, if there is connected then always on if not then off light. |
| Red LED Light          | Display the current upgrade status. The red-light flashes rapidly during upgrade, and it will turn off after three seconds when upgrade completed. When the power is lower then 10% the red-light flashes slowly, Red light flashing indicates upgrade failure                       |

# Disclaimer

### Warning

The contents mentioned in this article are related to your safety, legal rights, and responsibilities. Please read them carefully and set up and use this product correctly according to the instructions. If you do not follow the instructions and warnings in this article, it may cause harm to you and the people around you and damage the product or the products around you. Any illegal use by any user is prohibited. The user will be responsible for all actions of purchasing and using the product. For this product, the company does not bear all the risks and responsibilities (including direct, indirect, or third-party losses) of the end customers during the debugging and use of this product. Our company will not provide any service for any products obtained from abnormal channels or for unknown purposes.

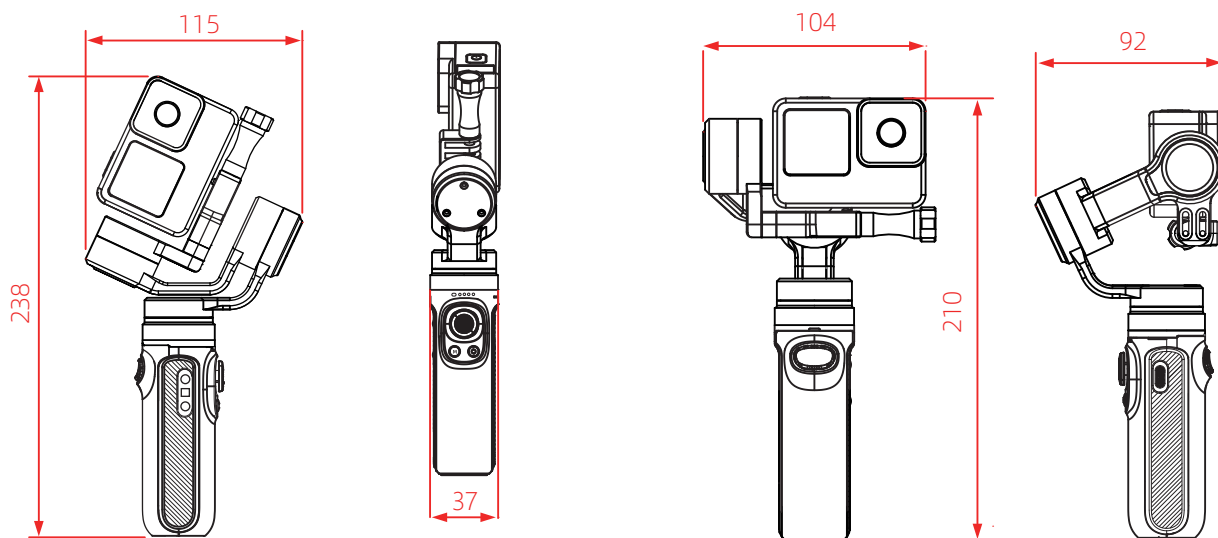
### Note:

- Ensure that the motor rotation is not blocked by external force during and after the stabilizer is powered on.
- Make sure that the stabilizer is not exposed to water or other liquids.
- Do not disassemble the whole stabilizer. If it is disassembled carelessly and causes abnormal operation, please send it back for re-debugging. All the expenses arising therefrom shall be borne by the customer.
- Long time continuous operation may cause the surface temperature of the motor to rise, please operate with caution.
- It is strictly forbidden to fall or collide. Falling or colliding the stabilizer may damage it and cause abnormal operation. In case of abnormal work caused by falling or collision, please contact the after-sales department in time.

### Storage and Maintenance

- Please keep this product out of the reach of children and pets.
- It is forbidden to place the product near the heat source (furnace or heater, etc.) and in the car in hot weather.
- Please store in a dry environment.
- Do not overcharge or over discharge the battery, otherwise it will cause damage to the cell.
- Do not use this product in too high or too low temperature environment.

## Product Parameter



|                           |   |
|---------------------------|---|
| Product Dimension:        | 238mm×115mm×37mm ( Folded Status )<br>104mm×210mm×92mm ( Service Status ) |
| Product Name:             | Gimbal Stabilizer for Action Camera                                       |
| Product Material:         | Aluminium Alloy   |
| Charging Mode:            | 5V1A  |
| Charging Voltage:         | 5V  |
| Bluetooth Version:        | Bluetooth 5.0   |
| Battery Capacity:         | 2200mAh   |
| Product Load:             | 200g  |
| Endurance Time:           | Laboratory stationary placement test results are 9 hours.                 |
| Product Weight:           | 310g (Battery included and Tripod is not included.)                       |
| Bluetooth Device Name:    | INKEE 061 + Last four digits of serial number                             |
| Remote control distance : | Within 10M  |

# Shenzhen Yingzhiqi Technology Co., Ltd

Address: 18A, Ruijun Business Building, No.108,Central Road,  
Xinqiao Street, Bao'an District, Shenzhen,  
Guangdong Province

Tel: +86 40096 80096

Website: [www.in-kee.com](http://www.in-kee.com)

---

Latest version of the User Manual is available at Official Website:

<https://www.in-kee.com/en/falcon/>

This manual is subject to update without prior notice. If you have any questions or suggestions about the manual, please contact us at the following email address:  
[info@in-kee.com](mailto:info@in-kee.com)

